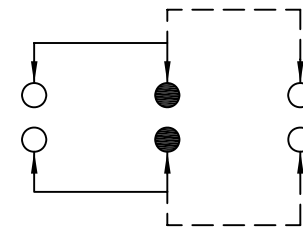
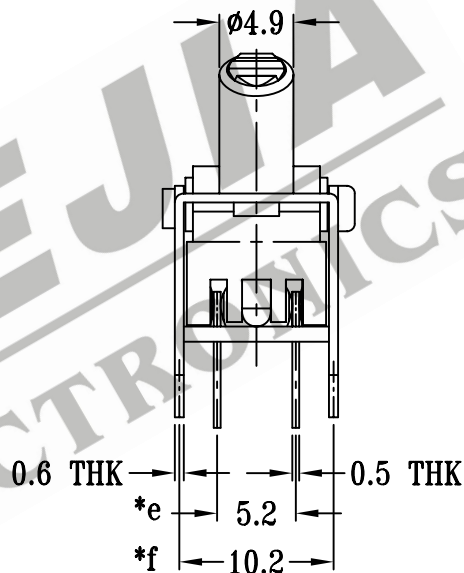
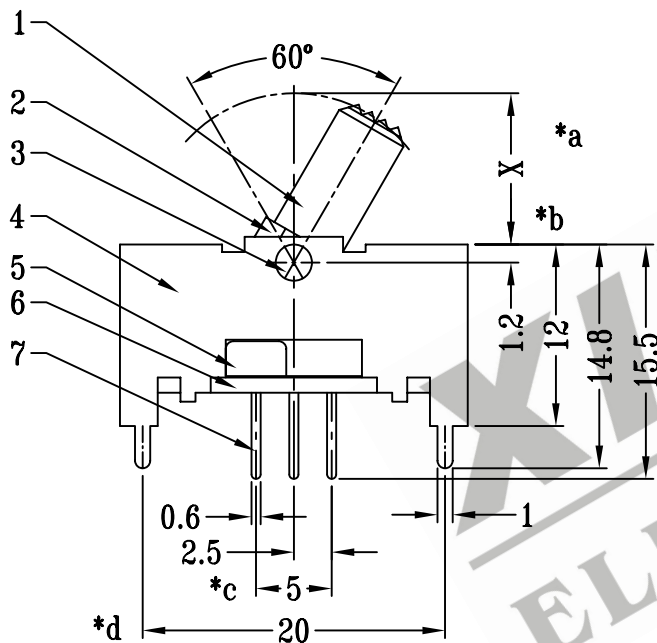
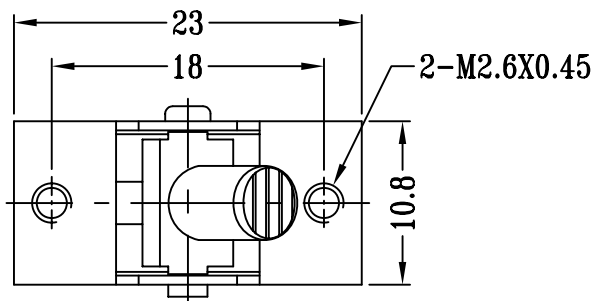
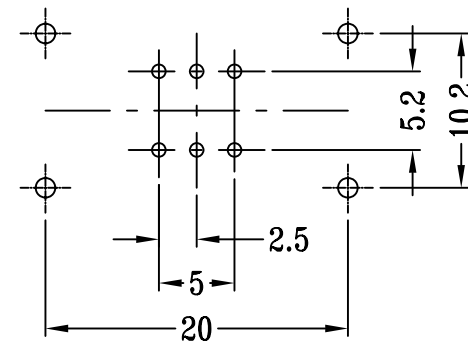


CAD FILE:



SCHEMATIC (SHORTING)



P.C.B LAYOUT

10	CONTACT CLIP	PBS STRIP	2	Ag PLATED
9	BAR	POM	1	WHITE
8	SPRING	STEEL WIRE	1	NATURAL
7	TERMINAL	BRASS STRIP	6	Ag PLATED OVER Ni PLATED
6	BASE	PHENOLIC RESIN	1	NATURAL
5	SLIDER	POM	1	BLACK
4	FRAME	STEEL STRIP	1	Ni PLATED
3	RIVET	COPPER	1	Ni PLATED
2	KNOB	PC	1	BLACK
1	SLEEVE	ALUMINIUM	1	NATURAL
NO.	PARTS	MATERIALS	Q'TY	FINISH

TOLERANCE		SHENZHEN XIEJIA ELECTRONICS CO.,LTD.				
UNLESS SPECIFIED						
WITHIN: 1.5 ±0.1mm		ISSUE	DATE	DESCRIPTIONS OF REVISION	APPD.	
OVER: 1.5 ±0.2mm						
TITLE : TOGGLE SWITCH			UNIT : mm	DRWG NO.: XJ-DR-TS22E01-00		
MODEL: TS-22E01			SCALE: 2:1	DWN.	ZHOUYU	2005-11-8
ALL MATERIALS MUST BE COMPLIANT TO ROHS				CHK'D	FANGYING	2005-11-8
				APPD.	KANGXINAN	2005-11-8

注:带*表示关键尺寸(0个)